



# Wheelchair accessible taxis

Last updated: 13 February 2020

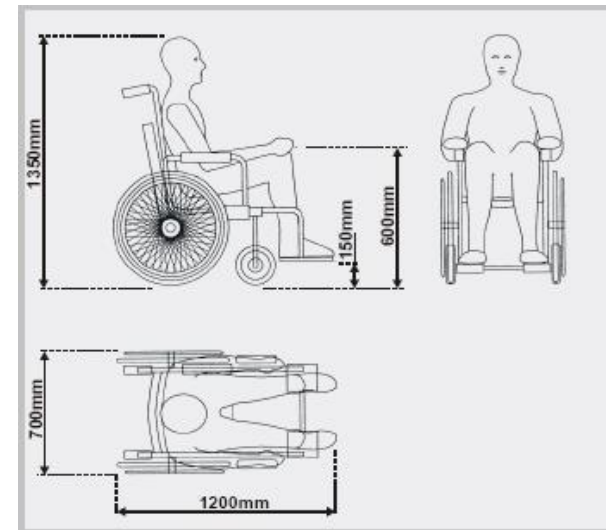
Dacorum Borough Council is responsible for licensing taxis and private hire vehicles which operate within the borough. We ensure that a proportion of taxis in the borough are safely constructed and equipped to carry passengers in wheelchairs.

This document contains details of all the licensed taxis which have been designated under section 167 of the Equality Act 2010; and where the proprietors have consented to us including additional details in this list, contact details for booking these vehicles for journeys.

When one of these vehicles is hired by or for a disabled person who is in a wheelchair, or by another person who wishes to be accompanied by a disabled person who is in a wheelchair, the driver of the vehicle must:

- a) carry the passenger while in their wheelchair;
- b) not make any additional charge for doing so;
- c) if the passenger chooses to sit in a passenger seat, carry their wheelchair;
- d) take such steps as are necessary to ensure that the passenger is carried in safety and reasonable comfort;
- e) give the passenger such mobility assistance as is reasonably required, i.e. assistance:
  - i) to enable the passenger to get into or out of the vehicle;
  - ii) if the passenger wishes to remain in the wheelchair, to enable the passenger to get into and out of the vehicle while in their wheelchair;
  - iii) to load the passenger's luggage into or out of the vehicle;
  - iv) if the passenger does not wish to remain in the wheelchair, to load the wheelchair into or out of the vehicle.

It may not be possible for taxis to carry larger specialist or motorised wheelchairs in their vehicles, if the safety of the passenger cannot be assured. The statutory duties will therefore apply to wheelchairs sized up to the dimensions of the following 'reference wheelchair':



Length:  
1200mm (approx. 48")  
including footplates

Width:  
700mm (28")

Total seated height:  
1350mm (54")

Clearance under footplate:  
150mm (6")

A small number of drivers have been exempted from these duties due to medical conditions which affect their ability to safely carry them out. Such drivers must display an official exemption certificate in their vehicle.

We will update this list periodically with any revisions, please check our website for the latest version ([www.dacorum.gov.uk/taxi](http://www.dacorum.gov.uk/taxi)).

Licence number	Registration number	Vehicle make/model	Proprietor(s)	Contact details for bookings (where consent has been given)
HV061	K700 RKS	Ford Transit	Mr House	-
HV062	GJ51 CAB	Ford Transit	Mr Lee	-
HV071	SP56 RAS	Mercedes Viano	Mr Khan	-
HV097	KN11 XJO	Mercedes Viano	Mr Khan	-
HV119	LS56 XUW	London Taxis TX4	Mr Pritchard	-
HV154	OU60 ZBC	Mercedes Vito	Mr Ulhassan	-
HV209	SF13 GFZ	Peugeot Premier	Mr Forrest	-
HV210	SF62 LSO	Peugeot Premier	Mr Grove	-
HV218	DK07 BGO	Mercedes Vito	Mr Ali	-
HV219	BJ56 XAU	Mercedes Vito	Mr Ahmed	-
HV221	CE17 MYR	Mercedes V class	Mr Khan	07803060336 –Website www.uniquecars.ltd.uk
HV222	ND12 XNK	Mercedes Viano	Mr Sadiq	-
HV231	LV08 PAO	Mercedes Viano	Mr Akram	-
HV250	YL17 JDK	Mercedes Vito	Mr Khan	-
HV256	OE13 KWP	Mercedes Viano	Mr Ali	-
HV282	KX09 DFK	Ford Transit	Mr Taylor	07769610783
HV304	SA08 JWZ	Ford Tourneo	Mrs King	-
HV305	OV61 UBK	Mercedes Viano	Mr Abid	-
HV317	KX64 RXH	Ford Tourneo	Mr Khan	07557143133
HV318	F4 AYT	Mercedes Viano	Mr Abbas	-

Licence number	Registration number	Vehicle make/model	Proprietor(s)	Contact details for bookings (where consent has been given)
HV319	FH57 FJY	Mercedes Viano	Mr Awan	-
HV322	T4 XLV	Ford Tourneo	Mr Venner	07799 887877
HV325	BA54 CAB	Peugeot Partner Tepee	Mr Hanlon	07907 362104
HV328	MA66 XUL	Vauxhall Vivaro	Kindertons Accident Management	-
HV336	LB10 TWF	Mercedes Vito	Mr Khan	-
HV339	LO19 VWU	Mercedes Vito	Mr Khan	07815 163410
HV341	KV06 PGR	Mercedes Viano	Mr Mahmood	07796685145
HV343	SF17 HFM	Ford Torneo	Mr James	
HV345	SB05 UVK	Peugeot Expert E7	Mr Sambucci	07909603886