



Wheelchair accessible taxis

Last updated: 01 April 2024

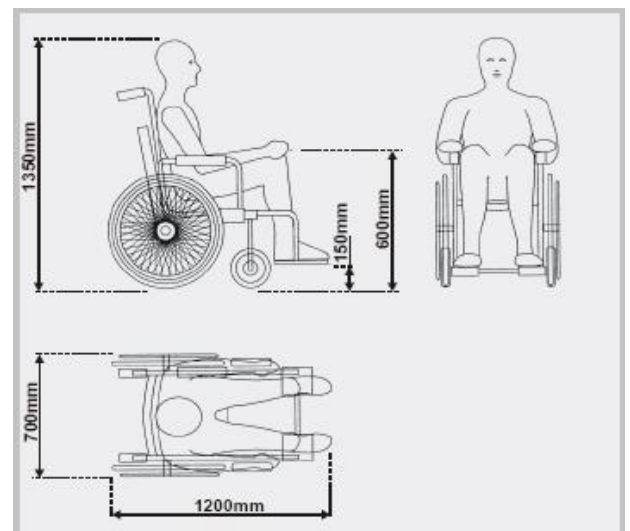
Dacorum Borough Council is responsible for licensing taxis and private hire vehicles which operate within the borough. We ensure that a proportion of taxis in the borough are safely constructed and equipped to carry passengers in wheelchairs.

This document contains details of all the licensed taxis and private hire vehicles which have been designated by the Council under section 167 of the Equality Act 2010. This means that all drivers of these vehicles are subject to additional legal duties under section 165 of that Act.

When one of these vehicles is hired by or for a disabled person who is in a wheelchair, or by another person who wishes to be accompanied by a disabled person who is in a wheelchair, the driver of the vehicle must:

- a) **carry the passenger while in their wheelchair;**
- b) **not make any additional charge for doing so;**
- c) **if the passenger chooses to sit in a passenger seat, carry their wheelchair;**
- d) **take such steps as are necessary to ensure that the passenger is carried in safety and reasonable comfort;**
- e) **give the passenger such mobility assistance as is reasonably required, i.e. assistance:**
 - i) **to enable the passenger to get into or out of the vehicle;**
 - ii) **if the passenger wishes to remain in the wheelchair, to enable the passenger to get into and out of the vehicle while in their wheelchair;**
 - iii) **to load the passenger's luggage into or out of the vehicle;**
 - iv) **if the passenger does not wish to remain in the wheelchair, to load the wheelchair into or out of the vehicle.**

It may not be possible for taxis to carry larger specialist or motorised wheelchairs in their vehicles, if the safety of the passenger cannot be assured. The statutory duties will therefore apply to wheelchairs sized up to the dimensions of the following 'reference wheelchair':



Length: 1200mm (approx. 48") including footplates
Width: 700mm (28")
Total seated height: 1350mm (54")
Clearance under footplate: 150mm (6")

A small number of licensed drivers may have been exempted from these duties due to health or medical conditions which affect their ability to safely carry them out. Such drivers must display an official exemption certificate in their vehicle.

If you would like to make a comment or complaint about a journey you have taken in a wheelchair-accessible taxi, please visit our website, at www.dacorum.gov.uk/taxi-complaints

We will update this list periodically with any revisions, please check our website for the latest version (www.dacorum.gov.uk/taxi).

Licence (plate) number	Registration number	Vehicle make/model	Vehicle licence type <i>(see note below)</i>	Licence expires
HV 061	K700 RKS	Ford Transit	Hackney Carriage vehicle	5 July 2024
HV 071	NK65 LUP	Mercedes-Benz Vito	Hackney Carriage vehicle	9 October 2024
HV 097	KN11 XJO	Mercedes-Benz Viano	Hackney Carriage vehicle	6 March 2025
HV 209	SF13 GFZ	Peugeot Premier	Hackney Carriage vehicle	16 April 2024
HV 231	KJ69 CJF	Mercedes-Benz Vito	Hackney Carriage vehicle	14 December 2024
HV 250	YL17 JDK	Mercedes-Benz Vito	Hackney Carriage vehicle	20 July 2024
HV 304	EU67 CPE	Renault Trafic	Hackney Carriage vehicle	12 April 2024
HV 317	KX64 RXH	Ford Tourneo	Hackney Carriage vehicle	28 October 2024
HV 322	T4 XLV	Ford Tourneo	Hackney Carriage vehicle	12 July 2024
HV 325	BA54 CAB	Peugeot Premier	Hackney Carriage vehicle	24 March 2025
HV 339	LO19 VWU	Mercedes-Benz Vito	Hackney Carriage vehicle	31 May 2024
HV 341	EA17 VMK	Mercedes-Benz Vito	Hackney Carriage vehicle	6 September 2024
HV 343	SF17 HFM	Ford Tourneo	Hackney Carriage vehicle	10 November 2024
HV 346	LR71 VJV	Mercedes-Benz Vito	Hackney Carriage vehicle	4 October 2024
HV 349	EF19 NXC	Mercedes-Benz Vito	Hackney Carriage vehicle	10 January 2025
HV 351	WN68 ZYJ	Mercedes-Benz Vito	Hackney Carriage vehicle	10 April 2024
HV 354	SF68 HTP	Ford Tourneo	Hackney Carriage vehicle	27 November 2024
PV 426	SF69 FWY	Peugeot Boxer	Private Hire vehicle	16 August 2024

Note

Hackney carriages (commonly known as taxis) may pick up passengers at taxi ranks, if hailed in the street, or for pre-booked journeys.

Private hire vehicles may only be pre-booked through a licensed operator.